

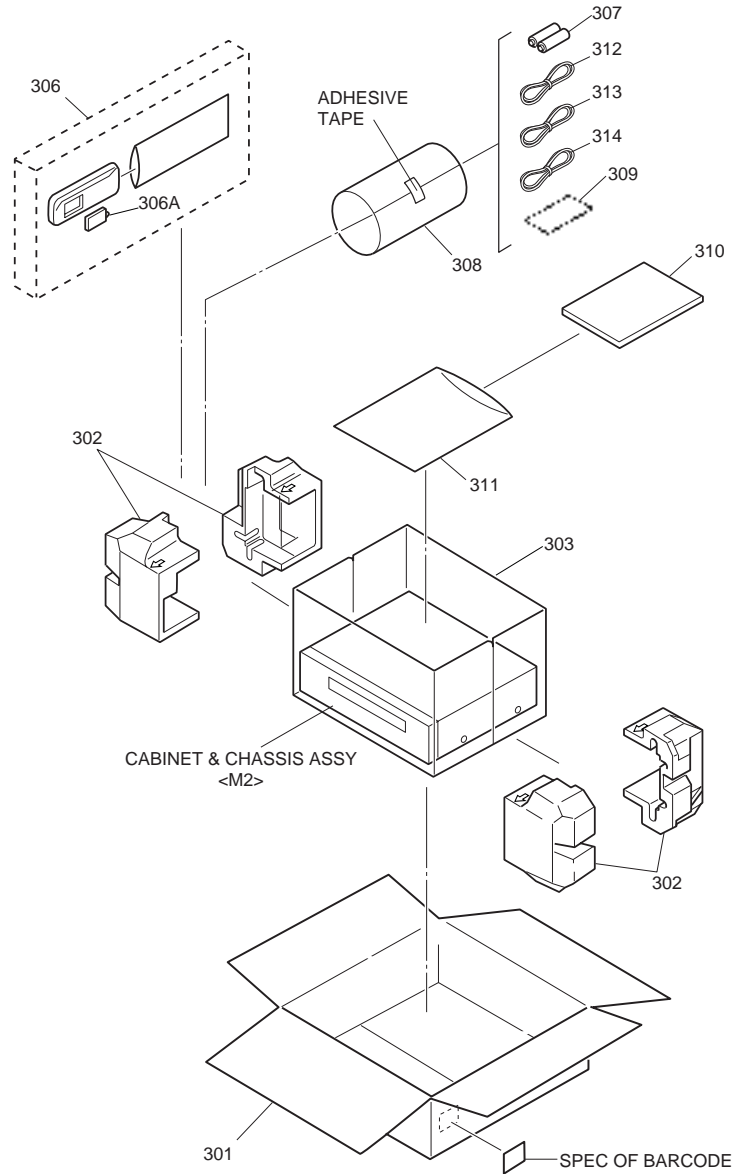
# SECTION 5 PARTS LIST

## SAFETY PRECAUTION

Parts identified by the  $\triangle$  symbol are critical for safety. Replace only with specified part numbers.

### 5.1 PACKING AND ACCESSORY ASSEMBLY <M1>

The instruction manual to be provided with this product will differ according to the destination.

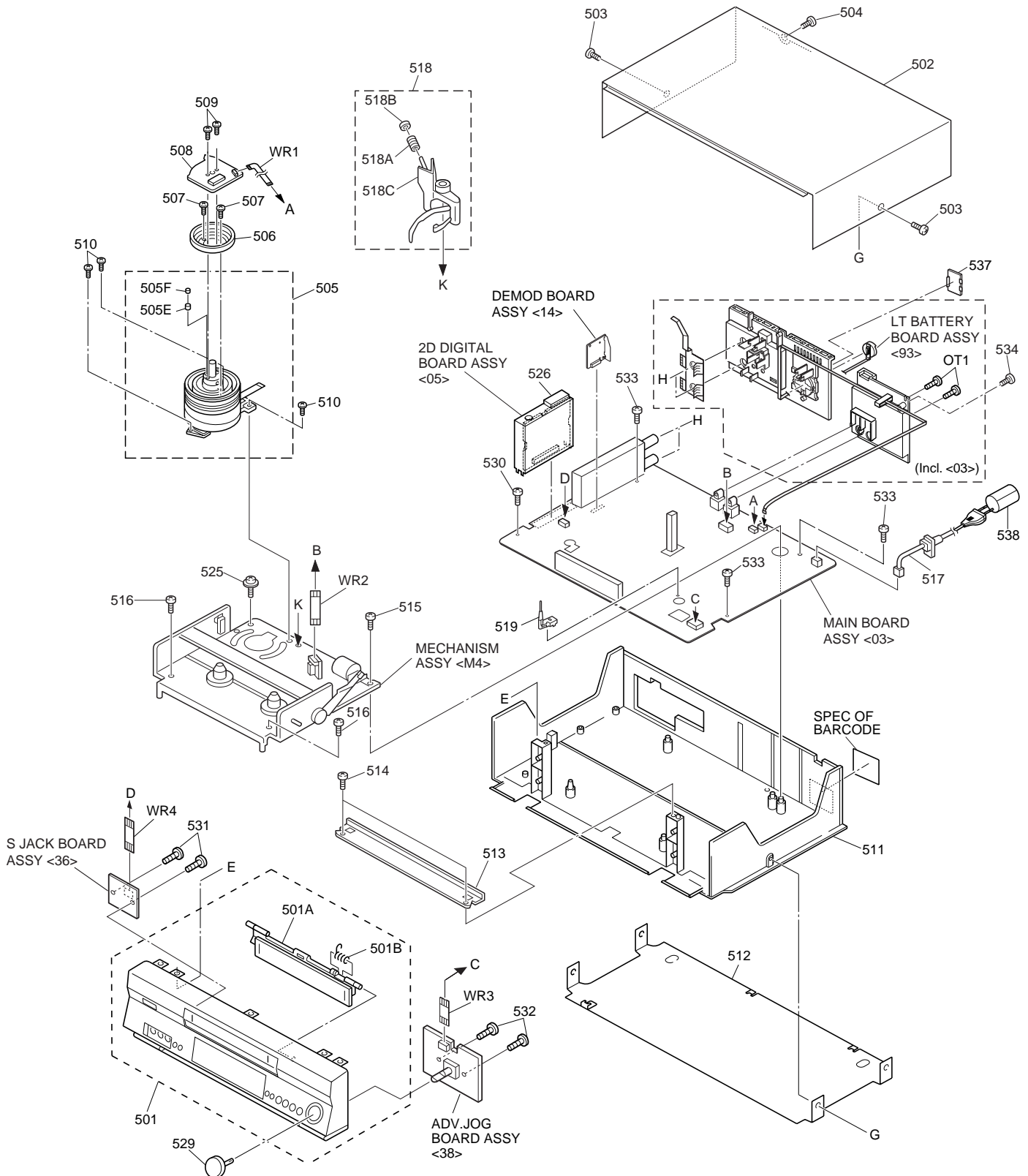


# $\triangle$ REF No.	PART No.	PART NAME, DESCRIPTION	# $\triangle$ REF No.	PART No.	PART NAME, DESCRIPTION
*****					
<b>PACKING AND ACCESSORY ASSEMBLY &lt;M1&gt;</b>					
301	LP31010-001A	PACKING CASE	307	-	BATTERY,X2,"AA"TYPE
302	LP30355-001D	CUSHION ASSY	308	QPC02503530P	POLY BAG
303	PQM30021-93	POLY BAG	$\triangle$ 309	PECA0903	LI BATTERY,CR2025
306	LP20303-016C	REMOTE CONTROLLER	$\triangle$ 310	LPT0539-001A	INST.BOOK(SP)
306A	LP40225-001A	COVER(BATTERY)	311	QPC02202230P	POLY BAG
			312	PEAC0294-04	RF CABLE
			313	QAM0004-002	S CABLE
			314	QAM0174-001	A/V CABLE

## 5.2 FINAL ASSEMBLY <M2>

### BEWARE OF BOGUS PARTS

Parts that do not meet specifications may cause trouble in regard to safety and performance. We recommend that genuine JVC parts be used.



# ▲ REF No. PART No. PART NAME, DESCRIPTION

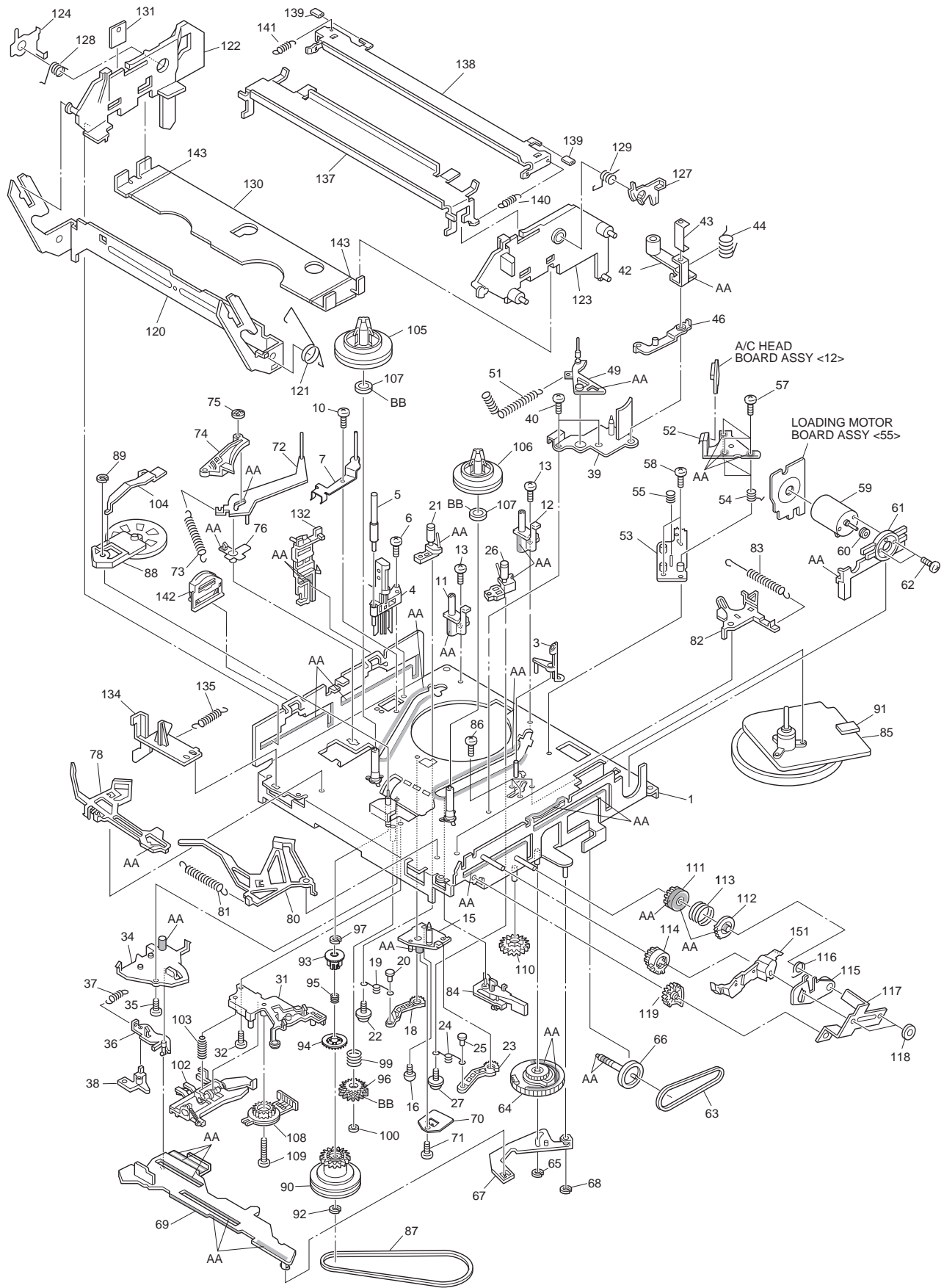
# ▲ REF No. PART No. PART NAME, DESCRIPTION

\*\*\*\*\*

**FINAL ASSEMBLY <M2>**

▲ 501	LP10333-050A	FRONT PANEL ASSY
501A	LP20961-020A	CASSETTE DOOR
501B	PQ46448	TORSION SPRING
▲ 502	LP10013-045A	TOP COVER
503	QYTDSF3010R	SCREW,X2, TOP COVER(SIDE)
504	QYTDSF3010M	SCREW, TOP COVER(REAR)
505	LP20981-015A	DRUM SUB ASSY
505E	LP40323-001A	CONTACT
505F	LP30004-014A	COMPRESSION SPRING
506	PDZ0179-1-4	ROTOR ASSY
507	QYSPSP3006Z	SCREW,X2
▲ 508	QAR0169-002	STATOR ASSY
509	QYSPSPH2606Z	SCREW,X2
510	QYTDST2610Z	SCREW,X3, DRUM
▲ 511	LP10108-015E	BOTTOM CHASSIS
▲ 512	LP10014-001B	BOTTOM COVER
513	LP30312-001B	BRACKET(CHASSIS)
514	QYTDSF3010Z	SCREW,X2, BRACKET
515	QYTDSF4012Z	SCREW, MECHA
516	QYTDSF3010Z	SCREW,X2, MECHA
▲ 517	QMPR130-170-JC	POWER CORD
518	LP40369-001D	CLEANER ASSY
518A	PQ46418-1-2	CLEANER ROLLER
518B	PQ46419-1-2	CLEANER
518C	LP30407-001D	CLEANER ARM
519	LP40407-001A	KNOB ASSY, S3002
525	PQ40413	SPECIAL SCREW, MECHA
526	LP30002-088B	SPACER, SHIELD FRAME
529	LP31019-001C	KNOB ASSY(ADV. JOG)
530	QYTDSF3010Z	SCREW, MAIN
531	QYTDSF2608Z	SCREW,X2, S JACK
532	QYTSPFG2608Z	SCREW,X2, ADV. JOG
533	DPSF3010Z	SCREW,X3, MAIN
534	QYTDSF3010M	SCREW, TERMINAL BOARD
537	LP30336-001A	CAP. LT BATTERY
538	PM30137	POLY BAG(POWER PLUG)
WR1	QUQ212-0518CG	FFC WIRE, DRUM
WR2	WJT0005-002A	E-CARD WIRE, A/C HEAD
WR3	QUQ112-0914CG	FFC WIRE, JOG(FSA)
WR4	WJT0026-001A	E-CARD WIRE, S(FSA)

### 5.3 MECHANISM ASSEMBLY <M4>



Classification	Part No.	Symbol in drawing
Grease	KYODO-SH-P	AA
Oil	COSMO-HV56	BB

**NOTE:**The section marked in **AA** and **BB** indicate lubrication and greasing areas.

#	△	REF No.	PART No.	PART NAME, DESCRIPTION	#	△	REF No.	PART No.	PART NAME, DESCRIPTION
*****									
<b>MECHANISM ASSEMBLY &lt;M4&gt;</b>									
1			LP20821-006A	MAIN DECK ASSY	75			PQ46302-1-3	ADJUST PIN
3			LP30492-002B	GUIDE POLE GUARD	76			LP30232-002A	TENSION ARM BEARING
4			NAH0001-001	FULL ERASE HEAD	78			LP40532-008B	MAIN BRAKE ASSY (SUPPLY)
5			LP40098-001B	GUIDE POLE(SUPPLY)	80			LP40111-011A	MAIN BRAKE ASSY (TAKE UP)
6			QYTDST2608Z	SCREW,FE HEAD	81			LP30003-026A	TENSION SPRING
7			LP40637-002A	TENSION STUD BASE ASSY	82			LP40112-001F	SUB BRAKE ASSY(TAKE UP)
10			QYTDST2606Z	SCREW	83			LP40357-002A	TENSION SPRING
11			LP30409-002C	UV CATCHER 2 (SUPPLY)	84			LP40461-001A	CAPSTAN BRAKE ASSY
12			LP30409-002C	UV CATCHER 2 (TAKE UP)	85			QAR0087-005	CAPSTAN MOTOR
13			QYTPST2606Z	SCREW,X2	86			QYTDSF2606M	SCREW,X3
15			LP30223-003C	LOADING ARM GEAR SHAFT	87			LP30005-007A	BELT,CAPSTAN MOTOR
16			QYTDST2606Z	SCREW	88			LP40114-012A	IDLER ARM ASSY
18			LP30224-001B	LOADING ARM GEAR(SUPPLY)	89			LP30016-001A	SLIT WASHER
19			LP40099-001A	TORSION ARM	90			LP40593-001A	CLUTCH UNIT 3
20			LP40100-001A	PIN	91			LP30002-097A	SPACER,CAPSTAN MOTOR
21			LP40101-006A	POLE BASE ASSY(SUPPLY)	92			PQM30017-47	SLIT WASHER
22			QYSPSTG2606Z	SCREW	93			LP30696-002A	CLUTCH GEAR 4
23			LP40103-002B	LOADING ARM GEAR(TAKE UP)	94			LP30697-003A	COUPLING GEAR
24			LP40099-001A	TORSION ARM	95			LP40554-002A	COMPRESSION SPRING
25			LP40100-002A	PIN	96			LP40442-001A	DIRECT GEAR
26			LP40104-006A	POLE BASE ASSY(TAKE UP)	97			LP30017-019A	SPACER
27			QYSPSTG2606Z	SCREW	99			LP40483-002A	COMPRESSION SPRING
31			LP20233-004B	ROTARY ENCODER GUIDE	100			LP30016-001A	SLIT WASHER
32			QYTPST2606Z	SCREW	102			LP40484-001J	CHANGE LEVER ASSY
34			LP30226-004E	CONTROL PLATE GUIDE	103			LP40512-002B	COMPRESSION SPRING
35			QYTPST2605Z	SCREW	104			LP30236-002C	IDLER LEVER
36			LP30249-003B	TAKE UP LEVER	105			LP20237-001B	REEL DISK (SUPPLY)
37			LP30003-006A	TENSION SPRING	106			LP20238-001B	REEL DISK (TAKE UP)
38			LP40119-002A	TAKE UP HEAD	107			LP30017-015A	SPACER,X2
39			LP20234-004B	LID GUIDE	108			QSW0554-003	ROTARY ENCODER
40			QYTDST2606Z	SCREW,X2	109			QYTPST2620Z	SCREW
42			LP40105-003A	PINCH ROLLER ARM ASSY	110			LP30237-002B	CASSETTE GEAR
43			LP40753-001A	PINCH ROLLER SHEET3	111			LP30239-002G	LIMIT GEAR(1)
44			LP40148-002A	TORSION SPRING	112			LP30240-002G	LIMIT GEAR(2)
46			LP40149-001C	PRESS LEVER ASSY	113			LP40136-001E	TORSION SPRING
49			LP40106-007A	GUIDE ARM ASSY	114			LP30242-002A	RELAY GEAR
51			LP40134-002A	TENSION SPRING	115			LP30339-002E	OPENER GUIDE
52			QAH0058-001	AC HEAD	116			LP40545-001A	TORSION SPRING
53			LP30228-001C	HEAD BASE	117			LP40214-001B	C.H.BRACKET
54			LP30004-013A	COMPRESSION SPRING,X3	118			PQM30017-47	SLIT WASHER,X2
55			LP40236-001A	COMPRESSION SPRING	119			LP30243-002A	DRIVE GEAR
57			LP40213-002B	SPECIAL SCREW,X3	120			LP20240-001G	DRIVE ARM
58			QYTDST2608Z	SCREW,X2	121			LP40137-001A	TORSION SPRING
59			QAR0023-001	LOADING MOTOR	122			LP10081-002L	SIDE HOLDER(L)
60			PQ43546-1-2	MOTOR PULLEY	123			LP10082-002M	SIDE HOLDER(R)
61			LP30230-003D	MOTOR GUIDE	124			LP30255-006A	LOCK LEVER(L)
62			QYTPSP3003Z	SCREW,X2	127			LP30256-001H	LOCK LEVER(R)
63			LP30005-003A	BELT,LOADING MOTOR	128			LP40168-003A	TORSION SPRING(L)
64			LP20791-002D	CONTROL CAM	129			LP40218-001B	TORSION SPRING(R)
65			PQM30017-24	SLIT WASHER	130			LP30257-001G	CASSETTE HOLDER
66			LP40120-001A	WORM GEAR	131			LP40852-001A	EARTH PLATE
67			LP40107-002A	LINK LEVER ASSY	132			LP30244-002G	GUIDE RAIL
68			PQM30017-24	SLIT WASHER	134			LP30245-002F	REC SAFETY LEVER
69			LP10201-003G	CONTROL PLATE	135			LP30003-004A	TENSION SPRING
70			LP40379-001B	CONTROL BRACKET(1)	137			LP20578-001C	TOP GUIDE
71			QYTDSF2608M	SCREW	138			LP30500-001C	HOLD PLATE
72			LP40108-002A	TENSION ARM ASSY	139			LP40450-003A	PAD,X2
73			LP30003-010A	TENSION SPRING	140			LP30003-025B	TENSION SPRING
74			LP40109-003D	TENSION BRAKE ASSY	141			LP30003-024A	TENSION SPRING
					142			LP40481-003A	ROLLER CAM ASSY
					143			LP30019-014A	PAD,X2
					151			LP20324-003B	DOOR OPENER

## 5.4 ELECTRICAL PARTS LIST

#	△ REF No.	PART No.	PART NAME, DESCRIPTION
*****			
<b>MAIN BOARD ASSEMBLY &lt;03&gt;</b>			
PW1		LPA10141-04A1	MAIN BOARD ASSY
IC1		JCP8050-MSA	IC
IC501		JCP8038	IC
IC502		VC2076DP	IC
IC3001		MN101D02GWJ	IC
		or MN101DP02JAFWJ	IC
IC3002		BA6956AN	IC
IC3003		IC-PST3423U-X	IC
IC3004		S-24C04BFJ-X	IC
		or X24C04S	IC
		or 24LC04B/SN-X	IC
		or AT24C04N-10SC-X	IC
		or BR24C04F-W-X	IC
IC5101		STR-G6551	IC
IC5301		L5431	IC
		or MM1431AT	IC
		or UTCTL431	IC
IC7001		PT6312LQ	IC
		or UPD16312GB/H/	IC
IC7003		GP1U291Q	IR DETECT UNIT
		or PIC-28143LJ	IR DETECT UNIT
		or PIC-37143LJ	IR DETECT UNIT
		or PNA4652M00YC	IR DETECT UNIT
Q1		2SC4081/S/-X	TRANSISTOR
Q2		2SC4081/S/-X	TRANSISTOR
Q3		2SC4081/S/-X	TRANSISTOR
Q4		2SC4081/S/-X	TRANSISTOR
Q7		2SC4081/QRS/-X	TRANSISTOR
		or 2PC4081/R/-X	TRANSISTOR
Q8		2SC4081/QRS/-X	TRANSISTOR
		or 2PC4081/R/-X	TRANSISTOR
Q9		2SA1576A/QR/-X	TRANSISTOR
		or 2PA1576/R/-X	TRANSISTOR
Q10		2SA1576A/QR/-X	TRANSISTOR
		or 2PA1576/R/-X	TRANSISTOR
Q11		DTC144WU	TRANSISTOR
		or PDTC144WU	TRANSISTOR
		or UN521E	TRANSISTOR
		or RN1309	TRANSISTOR
Q12		2SA1576A/QR/-X	TRANSISTOR
		or 2PA1576/R/-X	TRANSISTOR
Q17		DTC144WU	TRANSISTOR
		or PDTC144WU	TRANSISTOR
		or RN1309	TRANSISTOR
		or UN521E	TRANSISTOR
Q21		2SA1576A/QR/-X	TRANSISTOR
		or 2PA1576/R/-X	TRANSISTOR
Q33		DTC144WU	TRANSISTOR
		or PDTC144WU	TRANSISTOR
		or RN1309	TRANSISTOR
		or UN521E	TRANSISTOR
Q38		2SC4081/QRS/-X	TRANSISTOR
		or 2PC4081/R/-X	TRANSISTOR
Q901		2SA1576A/QR/-X	TRANSISTOR
		or 2PA1576/R/-X	TRANSISTOR
Q903		2SA1576A/QR/-X	TRANSISTOR
		or 2PA1576/R/-X	TRANSISTOR

#	△ REF No.	PART No.	PART NAME, DESCRIPTION
Q904		2SA1576A/QR/-X	TRANSISTOR
		or 2PA1576/R/-X	TRANSISTOR
Q2001		2SC4081/QRS/-X	TRANSISTOR
		or 2PC4081/R/-X	TRANSISTOR
		or 2SD1819A/QRS/-X	TRANSISTOR
Q2002		2SC4081/QRS/-X	TRANSISTOR
		or 2SD1819A/QRS/-X	TRANSISTOR
		or 2PC4081/R/-X	TRANSISTOR
Q2003		DTA144WU	TRANSISTOR
		or PDTA144WU	TRANSISTOR
		or RN2309	TRANSISTOR
		or UN511E	TRANSISTOR
Q2051		2SC4081/QRS/-X	TRANSISTOR
		or 2SD1819A/QRS/-X	TRANSISTOR
		or 2PC4081/R/-X	TRANSISTOR
Q2052		2SA1576A/QR/-X	TRANSISTOR
		or 2PA1576/R/-X	TRANSISTOR
		or 2SB1218A/QR/-X	TRANSISTOR
Q2053		DTC144WU	TRANSISTOR
		or PDTC144WU	TRANSISTOR
		or RN1309	TRANSISTOR
		or UN521E	TRANSISTOR
Q2054		2SA1576A/QR/-X	TRANSISTOR
		or 2SB1218A/QR/-X	TRANSISTOR
		or 2PA1576/R/-X	TRANSISTOR
Q2055		DTC144WU	TRANSISTOR
		or PDTC144WU	TRANSISTOR
		or RN1309	TRANSISTOR
		or UN521E	TRANSISTOR
Q2251		DTA144WU	TRANSISTOR
		or PDTA144WU	TRANSISTOR
		or RN2309	TRANSISTOR
		or UN511E	TRANSISTOR
Q3002		PTZ-NV16	PHOTO TRANSISTOR
		or PTZ-NV16A	PHOTO TRANSISTOR
Q3004		2SD1819A/QRS/-X	TRANSISTOR
		or 2SC4081/QRS/-X	TRANSISTOR
		or 2PC4081/R/-X	TRANSISTOR
Q4001		UN5211	TRANSISTOR
		or DTC114EU	TRANSISTOR
		or PDTC114EU	TRANSISTOR
		or RN1302	TRANSISTOR
Q4002		2SD1819A/QRS/-X	TRANSISTOR
		or 2SC4081/QRS/-X	TRANSISTOR
		or 2PC4081/R/-X	TRANSISTOR
Q5302		2SD2375/QP/	TRANSISTOR
Q5303		2SD1819A/RS/-X	TRANSISTOR
		or 2PC4081/R/-X	TRANSISTOR
		or 2SC4081/RS/-X	TRANSISTOR
Q5304		2SD2144S/UV/-T	TRANSISTOR
Q5305		DTA114EU	TRANSISTOR
		or PDTA114EU	TRANSISTOR
		or UN5111	TRANSISTOR
		or RN2302	TRANSISTOR
Q5306		DTC114EU	TRANSISTOR
		or PDTC114EU	TRANSISTOR
		or RN1302	TRANSISTOR
		or UN5211	TRANSISTOR
Q6030		2SB1218A/QR/-X	TRANSISTOR
		or 2PA1576/R/-X	TRANSISTOR
		or 2SA1576A/QR/-X	TRANSISTOR

#	△	REF No.	PART No.	PART NAME, DESCRIPTION	#	△	REF No.	PART No.	PART NAME, DESCRIPTION	
		Q6551	2SC1740S/QRS/-T	TRANSISTOR	D5302		NRSA02J-0R0X	MG RESISTOR		0Ω,1/10W
			or KTC3199/YG/-T	TRANSISTOR	D5303		RD5.1JS/B2/-T2	ZENER DIODE		
			or 2SC3199/YG/-T	TRANSISTOR			or MA4051N/M/-T2	ZENER DIODE		
		D1	1SS133	DIODE	D5304		1SS355	DIODE		
			or 1SS270A	DIODE	D5307		QUY153-050Y	IM BUS WIRE		
		D2	1SS133	DIODE	D5309		MTZJ27C	ZENER DIODE		
			or 1SS270A	DIODE			or RD27ES/B3/-T2	ZENER DIODE		
		D501	1SS355	DIODE	D5310		1SS133	DIODE		
		D2202	MTZJ9.1B	ZENER DIODE			or 1SS270A	DIODE		
		D3001	LNB2301L01VI	LE DIODE	D6002		HZ30-2L-T2	ZENER DIODE		
		D3002	1SS133	DIODE			or HZ30-2LTD	Z DIODE (M)		
			or 1SS270A	DIODE	D6551		MTZJ10B	ZENER DIODE		
		D3004	11ES2	DIODE	D7001		RD9.1ES/B2/-T2	ZENER DIODE		
			or 1A3G	DIODE			or UZ9.1BSB	ZENER DIODE		
		D3005	11ES2	DIODE			or MTZJ9.1B	ZENER DIODE		
			or 1A3G	DIODE	D7003		1SS133	DIODE		
		D3006	RD33ES/B2/-T2	ZENER DIODE			or 1SS270A	DIODE		
			or MTZJ33B	ZENER DIODE	D7004		1SS133	DIODE		
△		D3008	RB721Q-40-T2	SB DIODE			or 1SS270A	DIODE		
		D3013	DA204U	DIODE	D7005		1SS133	DIODE		
		D5001	S1WB/A/60-4102	BRIDGE DIODE			or 1SS270A	DIODE		
			or S1WB(A)60F4072X	BRIDGE DIODE	D7006		1SS133	DIODE		
			or S1WB/A/60-X	BRIDGE DIODE			or 1SS270A	DIODE		
		D5101	AU01	FR DIODE	D7008		SLR-325MC-T	LE DIODE		
			or ERA18-04-T2	FR DIODE	D7009		SLR-325VC-T	LE DIODE		
			or 10ELS4	FR DIODE	R1		NRVA02D-622X	CMF RESISTOR		6.2kΩ,1/10W
			or 1SR153-400-T2	FR DIODE	R2		NRVA02D-152X	CMF RESISTOR		1.5kΩ,1/10W
		D5102	AU01	FR DIODE	R3		NRSA02J-392X	MG RESISTOR		3.9kΩ,1/10W
			or 1SR153-400-T2	FR DIODE	R6		NRSA02J-273X	MG RESISTOR		27kΩ,1/10W
			or 10ELS4	FR DIODE	R7		NRSA02J-681X	MG RESISTOR		680Ω,1/10W
			or ERA18-04-T2	FR DIODE	R8		NRSA02J-0R0X	MG RESISTOR		0Ω,1/10W
		D5103	AU01Z	FR DIODE	R9		NRSA02J-0R0X	MG RESISTOR		0Ω,1/10W
			or ERA18-02-T2	FR DIODE	R21		NRSA02J-102X	MG RESISTOR		1kΩ,1/10W
			or PG104RS	FR DIODE	R22		NRSA02J-102X	MG RESISTOR		1kΩ,1/10W
			or 1SR153-400-T2	FR DIODE	R25		NRSA02J-103X	MG RESISTOR		10kΩ,1/10W
			or 10ELS2	FR DIODE	R26		NRSA02J-682X	MG RESISTOR		6.8kΩ,1/10W
		D5104	QUY153-050Y	IM BUS WIRE	R27		NRSA02J-221X	MG RESISTOR		220Ω,1/10W
		D5201	AK04	DIODE	R28		NRSA02J-221X	MG RESISTOR		220Ω,1/10W
			or 11EQS04	SB DIODE	R29		NRSA02J-561X	MG RESISTOR		560Ω,1/10W
			or 1S4	SB DIODE	R31		NRSA02J-152X	MG RESISTOR		1.5kΩ,1/10W
		D5203	AU01Z	FR DIODE	R32		NRSA02J-471X	MG RESISTOR		470Ω,1/10W
			or 10ELS2	FR DIODE	R34		NRSA02J-153X	MG RESISTOR		15kΩ,1/10W
		D5204	AU01Z	FR DIODE	R36		NRSA02J-182X	MG RESISTOR		1.8kΩ,1/10W
			or 10ELS2	FR DIODE	R38		NRSA02J-0R0X	MG RESISTOR		0Ω,1/10W
		D5206	FMB-24	BARRIER DIODE	R39		NRSA02J-0R0X	MG RESISTOR		0Ω,1/10W
			or FSQ05A04B	SB DIODE	R41		NRSA02J-473X	MG RESISTOR		47kΩ,1/10W
			or SB640FCT	SB DIODE	R42		NRSA02J-681X	MG RESISTOR		680Ω,1/10W
			or YG801C04	SB DIODE	R43		NRSA02J-153X	MG RESISTOR		15kΩ,1/10W
			or SF5SC4	SB DIODE	R44		NRSA02J-223X	MG RESISTOR		22kΩ,1/10W
		D5210	AU01Z	FR DIODE	R45		NRSA02J-333X	MG RESISTOR		33kΩ,1/10W
			or ERA18-02-T2	FR DIODE	R46		NRSA02J-471X	MG RESISTOR		470Ω,1/10W
			or PG104RS	FR DIODE	R48		NRSA02J-102X	MG RESISTOR		1kΩ,1/10W
			or 1SR153-400-T2	FR DIODE	R68		NRSA02J-222X	MG RESISTOR		2.2kΩ,1/10W
			or 10ELS2	FR DIODE	R77		NRSA02J-103X	MG RESISTOR		10kΩ,1/10W
		D5211	AU01Z	FR DIODE	R90		NRSA02J-471X	MG RESISTOR		470Ω,1/10W
			or ERA18-02-T2	FR DIODE	R93		NRSA02J-102X	MG RESISTOR		1kΩ,1/10W
			or 1SR153-400-T2	FR DIODE	R104		NRSA02J-682X	MG RESISTOR		6.8kΩ,1/10W
			or 10ELS2	FR DIODE	R118		NRSA02J-0R0X	MG RESISTOR		0Ω,1/10W
			or PG104RS	FR DIODE	R120		NRSA02J-103X	MG RESISTOR		10kΩ,1/10W
		D5301	MTZJ15C	ZENER DIODE	R201		NRSA02J-332X	MG RESISTOR		3.3kΩ,1/10W
			or RD15ES/B3/-T2	ZENER DIODE	R202		NRSA02J-222X	MG RESISTOR		2.2kΩ,1/10W

#	△ REF No.	PART No.	PART NAME, DESCRIPTION	#	△ REF No.	PART No.	PART NAME, DESCRIPTION
R203		NRSA02J-0R0X	MG RESISTOR 0Ω,1/10W	R2219		NRSA02J-393X	MG RESISTOR 39kΩ,1/10W
R204		NRSA02J-101X	MG RESISTOR 100Ω,1/10W	R2223		NRSA02J-123X	MG RESISTOR 12kΩ,1/10W
R503		NRSA02J-221X	MG RESISTOR 220Ω,1/10W	R2224		NRSA02J-123X	MG RESISTOR 12kΩ,1/10W
R504		NRSA02J-332X	MG RESISTOR 3.3kΩ,1/10W	R2232		NRSA02J-680X	MG RESISTOR 68Ω,1/10W
R505		NRSA02J-392X	MG RESISTOR 3.9kΩ,1/10W	R2251		QRE141J-102Y	RESISTOR 1kΩ,1/4W
R506		NRSA02J-391X	MG RESISTOR 390Ω,1/10W	R3003		NRSA02J-102X	MG RESISTOR 1kΩ,1/10W
R507		NRSA02J-122X	MG RESISTOR 1.2kΩ,1/10W	R3005		NRSA02J-102X	MG RESISTOR 1kΩ,1/10W
R508		NRSA02J-151X	MG RESISTOR 150Ω,1/10W	R3014		NRSA02J-102X	MG RESISTOR 1kΩ,1/10W
R509		NRSA02J-162X	MG RESISTOR 1.6kΩ,1/10W	R3017		NRSA02J-102X	MG RESISTOR 1kΩ,1/10W
R510		NRVA02D-102X	CMF RESISTOR 1kΩ,1/10W	R3018		NRSA02J-102X	MG RESISTOR 1kΩ,1/10W
R511		NRVA02D-471X	CMF RESISTOR 470Ω,1/10W	R3019		NRSA02J-0R0X	MG RESISTOR 0Ω,1/10W
R512		NRVA02D-102X	CMF RESISTOR 1kΩ,1/10W	R3021		NRSA02J-102X	MG RESISTOR 1kΩ,1/10W
R513		NRVA02D-152X	CMF RESISTOR 1.5kΩ,1/10W	R3022		NRSA02J-102X	MG RESISTOR 1kΩ,1/10W
R514		NRVA02D-332X	CMF RESISTOR 3.3kΩ,1/10W	R3026		NRSA02J-103X	MG RESISTOR 10kΩ,1/10W
R515		NRVA02D-332X	CMF RESISTOR 3.3kΩ,1/10W	R3028		NRSA02J-102X	MG RESISTOR 1kΩ,1/10W
R901		NRSA02J-820X	MG RESISTOR 82Ω,1/10W	R3035		NRSA02J-102X	MG RESISTOR 1kΩ,1/10W
R902		NRSA02J-152X	MG RESISTOR 1.5kΩ,1/10W	R3042		NRSA02J-0R0X	MG RESISTOR 0Ω,1/10W
R904		QRE123J-331X	RESISTOR 330Ω,1/2W	R3058		NRSA02J-102X	MG RESISTOR 1kΩ,1/10W
R905		NRSA02J-101X	MG RESISTOR 100Ω,1/10W	R3060		NRSA02J-102X	MG RESISTOR 1kΩ,1/10W
R911		NRSA02J-750X	MG RESISTOR 75Ω,1/10W	R3078		NRSA02J-102X	MG RESISTOR 1kΩ,1/10W
R912		NRSA02J-750X	MG RESISTOR 75Ω,1/10W	R3088		NRSA02J-102X	MG RESISTOR 1kΩ,1/10W
R914		NRSA02J-750X	MG RESISTOR 75Ω,1/10W	R3090		NRSA02J-102X	MG RESISTOR 1kΩ,1/10W
R915		NRSA02J-750X	MG RESISTOR 75Ω,1/10W	R3094		NRSA02J-102X	MG RESISTOR 1kΩ,1/10W
R916		NRSA02J-750X	MG RESISTOR 75Ω,1/10W	R3096		NRSA02J-102X	MG RESISTOR 1kΩ,1/10W
R917		NRSA02J-750X	MG RESISTOR 75Ω,1/10W	R3097		NRSA02J-102X	MG RESISTOR 1kΩ,1/10W
R919		QRE123J-331X	RESISTOR 330Ω,1/2W	R3098		NRSA02J-102X	MG RESISTOR 1kΩ,1/10W
R920		NRSA02J-101X	MG RESISTOR 100Ω,1/10W	R3099		NRSA02J-102X	MG RESISTOR 1kΩ,1/10W
R921		NRSA02J-101X	MG RESISTOR 100Ω,1/10W	R3201		NRSA02J-332X	MG RESISTOR 3.3kΩ,1/10W
R922		QRE123J-331X	RESISTOR 330Ω,1/2W	R3206		NRSA02J-103X	MG RESISTOR 10kΩ,1/10W
R924		NRSA02J-750X	MG RESISTOR 75Ω,1/10W	R3207		NRSA02J-103X	MG RESISTOR 10kΩ,1/10W
R925		NRSA02J-750X	MG RESISTOR 75Ω,1/10W	R3208		NRSA02J-103X	MG RESISTOR 10kΩ,1/10W
R2001		NRSA02J-101X	MG RESISTOR 100Ω,1/10W	R3209		QRE141J-181Y	RESISTOR 180Ω,1/4W
R2003		NRSA02J-101X	MG RESISTOR 100Ω,1/10W	R3211		NRSA02J-183X	MG RESISTOR 18kΩ,1/10W
R2005		NRSA02J-103X	MG RESISTOR 10kΩ,1/10W	R3212		NRSA02J-181X	MG RESISTOR 180Ω,1/10W
R2006		NRSA02J-393X	MG RESISTOR 39kΩ,1/10W	R3213		NRSA02J-273X	MG RESISTOR 27kΩ,1/10W
R2007		NRSA02J-393X	MG RESISTOR 39kΩ,1/10W	R3214		NRSA02J-181X	MG RESISTOR 180Ω,1/10W
R2009		NRSA02J-123X	MG RESISTOR 12kΩ,1/10W	R3215		NRSA02J-273X	MG RESISTOR 27kΩ,1/10W
R2010		NRSA02J-123X	MG RESISTOR 12kΩ,1/10W	R3216		QRE141J-474Y	RESISTOR 470kΩ,1/4W
R2013		NRSA02J-682X	MG RESISTOR 6.8kΩ,1/10W	R3217		NRSA02J-334X	MG RESISTOR 330kΩ,1/10W
R2014		NRSA02J-224X	MG RESISTOR 220kΩ,1/10W	R3218		NRSA02J-103X	MG RESISTOR 10kΩ,1/10W
R2015		NRSA02J-121X	MG RESISTOR 120Ω,1/10W	R3219		QRE141J-103Y	RESISTOR 10kΩ,1/4W
R2016		NRSA02J-473X	MG RESISTOR 47kΩ,1/10W	R3220		NRSA02J-103X	MG RESISTOR 10kΩ,1/10W
R2017		NRSA02J-223X	MG RESISTOR 22kΩ,1/10W	R3221		NRSA02J-562X	MG RESISTOR 5.6kΩ,1/10W
R2018		NRSA02J-472X	MG RESISTOR 4.7kΩ,1/10W	R3222		NRSA02J-472X	MG RESISTOR 4.7kΩ,1/10W
R2019		NRSA02J-472X	MG RESISTOR 4.7kΩ,1/10W	R3223		NRSA02J-105X	MG RESISTOR 1MΩ,1/10W
R2053		NRSA02J-682X	MG RESISTOR 6.8kΩ,1/10W	R3224		NRSA02J-101X	MG RESISTOR 100Ω,1/10W
R2054		NRSA02J-123X	MG RESISTOR 12kΩ,1/10W	R3226		NRSA02J-472X	MG RESISTOR 4.7kΩ,1/10W
R2055		NRSA02J-3R3X	MG RESISTOR 3.3Ω,1/10W	R3227		NRSA02J-472X	MG RESISTOR 4.7kΩ,1/10W
R2056		QRE141J-820Y	RESISTOR 82Ω,1/4W	R3232		NRSA02J-104X	MG RESISTOR 100kΩ,1/10W
R2057		NRSA02J-473X	MG RESISTOR 47kΩ,1/10W	R3233		NRSA02J-472X	MG RESISTOR 4.7kΩ,1/10W
R2058		NRSA02J-183X	MG RESISTOR 18kΩ,1/10W	R3234		QRE141J-472Y	RESISTOR 4.7kΩ,1/4W
R2059		NRSA02J-473X	MG RESISTOR 47kΩ,1/10W	△ R3235		QRE141J-102Y	RESISTOR 1kΩ,1/4W
R2060		NRSA02J-183X	MG RESISTOR 18kΩ,1/10W	R3236		NRSA02J-103X	MG RESISTOR 10kΩ,1/10W
R2201		NRSA02J-680X	MG RESISTOR 68Ω,1/10W	R3237		NRSA02J-103X	MG RESISTOR 10kΩ,1/10W
R2202		NRSA02J-222X	MG RESISTOR 2.2kΩ,1/10W	R3238		NRSA02J-103X	MG RESISTOR 10kΩ,1/10W
R2203		NRSA02J-222X	MG RESISTOR 2.2kΩ,1/10W	R3240		NRSA02J-103X	MG RESISTOR 10kΩ,1/10W
R2204		NRSA02J-102X	MG RESISTOR 1kΩ,1/10W	R3241		NRSA02J-103X	MG RESISTOR 10kΩ,1/10W
R2205		NRSA02J-102X	MG RESISTOR 1kΩ,1/10W	R3243		QRE141J-103Y	RESISTOR 10kΩ,1/4W
R2206		NRSA02J-101X	MG RESISTOR 100Ω,1/10W	R3244		NRSA02J-103X	MG RESISTOR 10kΩ,1/10W
R2217		NRSA02J-103X	MG RESISTOR 10kΩ,1/10W	R4001		NRSA02J-222X	MG RESISTOR 2.2kΩ,1/10W
R2218		NRSA02J-393X	MG RESISTOR 39kΩ,1/10W	R4002		NRSA02J-562X	MG RESISTOR 5.6kΩ,1/10W



#	△	REF No.	PART No.	PART NAME, DESCRIPTION		#	△	REF No.	PART No.	PART NAME, DESCRIPTION	
		R4003	NRSA02J-222X	MG RESISTOR	2.2kΩ,1/10W			R7026	QUY160-100Y	IM BUS WIRE	
		R4006	NRSA02J-272X	MG RESISTOR	2.7kΩ,1/10W			R7035	NRSA02J-0R0X	MG RESISTOR	0Ω,1/10W
		R4010	NRSA02J-471X	MG RESISTOR	470Ω,1/10W			B3	NRSA02J-0R0X	MG RESISTOR	0Ω,1/10W
		R4011	NRSA02J-471X	MG RESISTOR	470Ω,1/10W			B8	NRSA02J-0R0X	MG RESISTOR	0Ω,1/10W
		R4012	NRSA02J-153X	MG RESISTOR	15kΩ,1/10W			B11	NRSA02J-0R0X	MG RESISTOR	0Ω,1/10W
		R4018	NRSA02J-103X	MG RESISTOR	10kΩ,1/10W			B33	NRSA02J-0R0X	MG RESISTOR	0Ω,1/10W
		R4019	NRSA02J-102X	MG RESISTOR	1kΩ,1/10W			B43	NRSA02J-0R0X	MG RESISTOR	0Ω,1/10W
		R4020	NRSA02J-102X	MG RESISTOR	1kΩ,1/10W			B201	NRSA02J-0R0X	MG RESISTOR	0Ω,1/10W
		R4021	NRSA02J-103X	MG RESISTOR	10kΩ,1/10W			B2051	QUY153-050Y	IM BUS WIRE	
		R4024	QRE141J-103Y	RESISTOR	10kΩ,1/4W			B5301	NRSA02J-0R0X	MG RESISTOR	0Ω,1/10W
		R5101	QRG02GJ-104	OMF RESISTOR	100kΩ,2W			B5303	NRSA02J-0R0X	MG RESISTOR	0Ω,1/10W
		R5102	QRE141J-4R7Y	RESISTOR	4.7Ω,1/4W			B5304	NRSA02J-0R0X	MG RESISTOR	0Ω,1/10W
		R5103	NRSA02J-681X	MG RESISTOR	680Ω,1/10W			B6020	NRSA02J-0R0X	MG RESISTOR	0Ω,1/10W
		R5104	QRG02GJ-683	OMF RESISTOR	68kΩ,2W			B6550	QUY160-080Y	IM BUS WIRE	
		R5105	QRT01DJ-R47X	MF RESISTOR	0.47Ω,1W			B6551	QUY160-080Y	IM BUS WIRE	
		R5106	NRSA02J-562X	MG RESISTOR	5.6kΩ,1/10W			B7002	NRSA02J-0R0X	MG RESISTOR	0Ω,1/10W
		R5301	NRSA02J-472X	MG RESISTOR	4.7kΩ,1/10W			B7003	NRSA02J-0R0X	MG RESISTOR	0Ω,1/10W
		R5302	NRSA02J-102X	MG RESISTOR	1kΩ,1/10W			B7004	NRSA02J-0R0X	MG RESISTOR	0Ω,1/10W
		R5303	NRSA02J-122X	MG RESISTOR	1.2kΩ,1/10W			B7005	NRSA02J-0R0X	MG RESISTOR	0Ω,1/10W
		R5304	NRSA02J-471X	MG RESISTOR	470Ω,1/10W			B7006	NRSA02J-0R0X	MG RESISTOR	0Ω,1/10W
		R5305	NRSA02J-102X	MG RESISTOR	1kΩ,1/10W			B7007	NRSA02J-0R0X	MG RESISTOR	0Ω,1/10W
		R5306	NRSA02J-471X	MG RESISTOR	470Ω,1/10W			B7013	QUY160-060Y	IM BUS WIRE	
		R5308	NRSA02J-471X	MG RESISTOR	470Ω,1/10W			B7020	NRSA02J-0R0X	MG RESISTOR	0Ω,1/10W
		R5309	NRSA02J-103X	MG RESISTOR	10kΩ,1/10W			B7022	NRSA02J-0R0X	MG RESISTOR	0Ω,1/10W
		R5310	NRSA02J-471X	MG RESISTOR	470Ω,1/10W			C1	NCB21HK-103X	CAPACITOR	0.01μF,50V
		R5311	NRSA02J-473X	MG RESISTOR	47kΩ,1/10W			C2	NCB21HK-103X	CAPACITOR	0.01μF,50V
		R5312	NRVA02D-332X	CMF RESISTOR	3.3kΩ,1/10W			C3	NCB21HK-103X	CAPACITOR	0.01μF,50V
		R5313	NRVA02D-332X	CMF RESISTOR	3.3kΩ,1/10W			C4	NCB21HK-103X	CAPACITOR	0.01μF,50V
		R5314	NRSA02J-103X	MG RESISTOR	10kΩ,1/10W			C5	QEKJ0JM-476	E CAPACITOR	47μF,6.3V
		R5316	NRVA02D-103X	CMF RESISTOR	10kΩ,1/10W			C7	NDC21HJ-151X	CAPACITOR	150pF,50V
△		R5318	QRZ9005-221X	FUSI RESISTOR	220Ω,1/4W			C8	NCB21EK-104X	CAPACITOR	0.1μF,25V
		R5326	QRE141J-2R2Y	RESISTOR	2.2Ω,1/4W			C9	NCB21HK-103X	CAPACITOR	0.01μF,50V
		R6020	NRSA02J-102X	MG RESISTOR	1kΩ,1/10W			C10	NDC21HG-151X	CAPACITOR	150pF,50V
		R6021	NRSA02J-102X	MG RESISTOR	1kΩ,1/10W			C11	NCB21EK-104X	CAPACITOR	0.1μF,25V
		R6030	NRSA02J-332X	MG RESISTOR	3.3kΩ,1/10W			C12	NDC21HJ-120X	CAPACITOR	12pF,50V
		R6031	NRSA02J-101X	MG RESISTOR	100Ω,1/10W			C14	NCB21EK-104X	CAPACITOR	0.1μF,25V
		R6032	NRSA02J-123X	MG RESISTOR	12kΩ,1/10W			C15	NCB21HK-103X	CAPACITOR	0.01μF,50V
		R6050	QRE141J-330Y	RESISTOR	33Ω,1/4W			C16	NCB21EK-104X	CAPACITOR	0.1μF,25V
		R6051	QRE141J-102Y	RESISTOR	1kΩ,1/4W			C17	QEKJ1HM-335	E CAPACITOR	3.3μF,50V
		R6508	QUY153-050Y	IM BUS WIRE				C19	QEKJ1HM-225	E CAPACITOR	2.2μF,50V
		R6510	NRSA02J-0R0X	MG RESISTOR	0Ω,1/10W			C20	QEKJ1HM-105	E CAPACITOR	1μF,50V
		R6551	NRSA02J-271X	MG RESISTOR	270Ω,1/10W			C21	NCB21EK-104X	CAPACITOR	0.1μF,25V
		R6552	NRSA02J-101X	MG RESISTOR	100Ω,1/10W			C22	QEKJ0JM-476	E CAPACITOR	47μF,6.3V
		R7001	NRSA02J-103X	MG RESISTOR	10kΩ,1/10W			C23	NCB21HK-103X	CAPACITOR	0.01μF,50V
		R7002	NRSA02J-103X	MG RESISTOR	10kΩ,1/10W			C24	NCB21EK-104X	CAPACITOR	0.1μF,25V
		R7003	NRSA02J-103X	MG RESISTOR	10kΩ,1/10W			C25	NDC21HJ-4R0X	CAPACITOR	4pF,50V
		R7004	NRSA02J-103X	MG RESISTOR	10kΩ,1/10W			C26	NCB21HK-103X	CAPACITOR	0.01μF,50V
		R7005	NRSA02J-472X	MG RESISTOR	4.7kΩ,1/10W			C27	NCB21HK-223X	CAPACITOR	0.022μF,50V
		R7006	NRSA02J-471X	MG RESISTOR	470Ω,1/10W			C28	QEKJ1HM-335	E CAPACITOR	3.3μF,50V
		R7007	NRSA02J-103X	MG RESISTOR	10kΩ,1/10W			C29	NCB21EK-333X	CAPACITOR	0.033μF,25V
		R7008	NRSA02J-563X	MG RESISTOR	56kΩ,1/10W			C30	QEKJ1HM-474	E CAPACITOR	0.47μF,50V
		R7009	QRE141J-103Y	RESISTOR	10kΩ,1/4W			C31	QEKJ0JM-476	E CAPACITOR	47μF,6.3V
		R7011	NRSA02J-333X	MG RESISTOR	33kΩ,1/10W			C32	QCB21HK-103	CAPACITOR	0.01μF,50V
		R7012	QRE141J-333Y	RESISTOR	33kΩ,1/4W			C33	QEKJ1HM-225	E CAPACITOR	2.2μF,50V
		R7013	NRSA02J-333X	MG RESISTOR	33kΩ,1/10W			C34	NCB21EK-104X	CAPACITOR	0.1μF,25V
		R7014	NRSA02J-333X	MG RESISTOR	33kΩ,1/10W			C35	NCB21HK-103X	CAPACITOR	0.01μF,50V
		R7015	NRSA02J-472X	MG RESISTOR	4.7kΩ,1/10W			C36	QEKJ1HM-475	E CAPACITOR	4.7μF,50V
		R7016	NRSA02J-103X	MG RESISTOR	10kΩ,1/10W			C37	QEKJ1HM-105	E CAPACITOR	1μF,50V
		R7017	NRSA02J-331X	MG RESISTOR	330Ω,1/10W			C38	QEKJ0JM-476	E CAPACITOR	47μF,6.3V
		R7018	NRSA02J-331X	MG RESISTOR	330Ω,1/10W			C39	NCB21HK-103X	CAPACITOR	0.01μF,50V
		R7022	NRSA02J-0R0X	MG RESISTOR	0Ω,1/10W			C40	QEKJ1EM-106	E CAPACITOR	10μF,25V

#	△ REF No.	PART No.	PART NAME, DESCRIPTION	#	△ REF No.	PART No.	PART NAME, DESCRIPTION
C53		NCB21HK-103X	CAPACITOR 0.01μF,50V	C552		NRSA02J-0R0X	MG RESISTOR 0Ω,1/10W
C54		NCB21HK-103X	CAPACITOR 0.01μF,50V	C553		NCB21HK-103X	CAPACITOR 0.01μF,50V
C59		NCB21HK-103X	CAPACITOR 0.01μF,50V	C555		NRSA02J-0R0X	MG RESISTOR 0Ω,1/10W
C60		QEKJ0JM-476	E CAPACITOR 47μF,6.3V	C557		QERF1HM-105	E CAPACITOR 1μF,50V
C61		NCB21HK-103X	CAPACITOR 0.01μF,50V	C558		NRSA02J-0R0X	MG RESISTOR 0Ω,1/10W
C63		NCB21EK-104X	CAPACITOR 0.1μF,25V	C559		NCB21HK-103X	CAPACITOR 0.01μF,50V
C64		NDC21HJ-120X	CAPACITOR 12pF,50V	C560		QERF1HM-105	E CAPACITOR 1μF,50V
C69		NCB21HK-103X	CAPACITOR 0.01μF,50V	C561		QERF1HM-105	E CAPACITOR 1μF,50V
C70		NCB21HK-103X	CAPACITOR 0.01μF,50V	C563		NCB21HK-103X	CAPACITOR 0.01μF,50V
C71		NCB21HK-103X	CAPACITOR 0.01μF,50V	C567		NCB21HK-103X	CAPACITOR 0.01μF,50V
C72		NDC21HJ-470X	CAPACITOR 47pF,50V	C901		QETN0JM-477	E CAPACITOR 470μF,6.3V
C73		NDC21HJ-120X	CAPACITOR 12pF,50V	C904		NCB21HK-103X	CAPACITOR 0.01μF,50V
C80		NCB21HK-103X	CAPACITOR 0.01μF,50V	C911		NRSA02J-0R0X	MG RESISTOR 0Ω,1/10W
C84		NDC21HJ-470X	CAPACITOR 47pF,50V	C912		NCB21HK-103X	CAPACITOR 0.01μF,50V
C110		NCB21HK-331X	CAPACITOR 330pF,50V	C913		QETN0JM-477	E CAPACITOR 470μF,6.3V
C137		NCB21HK-103X	CAPACITOR 0.01μF,50V	C914		NRSA02J-0R0X	MG RESISTOR 0Ω,1/10W
C201		QEKJ0JM-476	E CAPACITOR 47μF,6.3V	C2001		QEKJ1HM-475	E CAPACITOR 4.7μF,50V
C202		NCB21EK-104X	CAPACITOR 0.1μF,25V	C2002		QEKJ1EM-106	E CAPACITOR 10μF,25V
C203		QEKJ1HM-105	E CAPACITOR 1μF,50V	C2003		QEKJ0JM-476	E CAPACITOR 47μF,6.3V
C205		NDC21HJ-101X	CAPACITOR 100pF,50V	C2005		QEKJ1HM-475	E CAPACITOR 4.7μF,50V
C207		NCF21CZ-105X	CAPACITOR 1μF,16V	C2006		NCB21HK-123X	CAPACITOR 0.012μF,50V
C209		NCB21HK-103X	CAPACITOR 0.01μF,50V	C2007		QEKJ1CM-226	E CAPACITOR 22μF,16V
C210		NCB21HK-222X	CAPACITOR 0.0022μF,50V	C2008		QEKJ1HM-475	E CAPACITOR 4.7μF,50V
C211		NCB21HK-103X	CAPACITOR 0.01μF,50V	C2009		NCB21HK-102X	CAPACITOR 0.001μF,50V
C220		NDC21HJ-101X	CAPACITOR 100pF,50V	C2010		NCB21HK-222X	CAPACITOR 0.0022μF,50V
C501		QEKJ1HM-225	E CAPACITOR 2.2μF,50V	C2011		QEKJ1HM-475	E CAPACITOR 4.7μF,50V
C502		QEKJ1HM-104	E CAPACITOR 0.1μF,50V	C2012		QEKJ1HM-475	E CAPACITOR 4.7μF,50V
C503		QEKJ1HM-225	E CAPACITOR 2.2μF,50V	C2051		NCB21HK-331X	CAPACITOR 330pF,50V
C504		NCB21EK-104X	CAPACITOR 0.1μF,25V	C2052		QFLC1HJ-823Z	F CAPACITOR 0.082μF,50V
C505		QEKJ1EM-475	E CAPACITOR 4.7μF,25V	C2053		NCB21HK-472X	CAPACITOR 0.0047μF,50V
C506		NCB21HK-103X	CAPACITOR 0.01μF,50V	C2054		NCB21EK-223X	CAPACITOR 0.022μF,25V
C507		QEKJ0JM-476	E CAPACITOR 47μF,6.3V	C2055		QEKJ1EM-106	E CAPACITOR 10μF,25V
C508		QEKJ1HM-474	E CAPACITOR 0.47μF,50V	C2201		NCB21EK-104X	CAPACITOR 0.1μF,25V
C509		QEKJ1CM-106	E CAPACITOR 10μF,16V	C2202		NCB21EK-333X	CAPACITOR 0.033μF,25V
C510		QEKJ0JM-476	E CAPACITOR 47μF,6.3V	C2203		QEKJ1EM-106	E CAPACITOR 10μF,25V
C511		NCB21HK-103X	CAPACITOR 0.01μF,50V	C2204		NCB21HK-102X	CAPACITOR 0.001μF,50V
C512		NCB21HK-103X	CAPACITOR 0.01μF,50V	C2205		QEKJ1HM-105	E CAPACITOR 1μF,50V
C513		QEKJ1EM-475	E CAPACITOR 4.7μF,25V	C2206		QEKJ1EM-106	E CAPACITOR 10μF,25V
C514		NCB21HK-103X	CAPACITOR 0.01μF,50V	C2207		QEKJ1CM-476	E CAPACITOR 47μF,16V
C515		QCBB1HK-103	CAPACITOR 0.01μF,50V	C2208		QEKJ1HM-475	E CAPACITOR 4.7μF,50V
C516		NCB21HK-103X	CAPACITOR 0.01μF,50V	C2209		QEKJ1HM-104	E CAPACITOR 0.1μF,50V
C517		NCB21HK-103X	CAPACITOR 0.01μF,50V	C2210		QEKJ1HM-104	E CAPACITOR 0.1μF,50V
C518		NCB21EK-104X	CAPACITOR 0.1μF,25V	C2211		QEKJ1HM-105	E CAPACITOR 1μF,50V
C519		QERF1HM-225	E CAPACITOR 2.2μF,50V	C2212		QEKJ1HM-105	E CAPACITOR 1μF,50V
C520		QERF1EM-475	E CAPACITOR 4.7μF,25V	C2215		QEKJ1HM-475	E CAPACITOR 4.7μF,50V
C521		QEKJ1EM-475	E CAPACITOR 4.7μF,25V	C2217		QEKJ1EM-106	E CAPACITOR 10μF,25V
C522		QEKJ1HM-225	E CAPACITOR 2.2μF,50V	C2219		QEKJ1EM-106	E CAPACITOR 10μF,25V
C523		QEKJ1HM-225	E CAPACITOR 2.2μF,50V	C2220		QEKJ1HM-475	E CAPACITOR 4.7μF,50V
C524		NDC21HG-301X	CAPACITOR 300pF,50V	C2221		NCB21HK-103X	CAPACITOR 0.01μF,50V
C525		NDC21HG-301X	CAPACITOR 300pF,50V	C2222		QEKJ1HM-474	E CAPACITOR 0.47μF,50V
C526		NDC21HJ-101X	CAPACITOR 100pF,50V	C2223		QEKJ1HM-474	E CAPACITOR 0.47μF,50V
C527		NDC21HJ-181X	CAPACITOR 180pF,50V	C2224		NCB21HK-103X	CAPACITOR 0.01μF,50V
C528		NDC21HG-271X	CAPACITOR 270pF,50V	C2225		QEKJ1HM-475	E CAPACITOR 4.7μF,50V
C529		NDC21HG-820X	CAPACITOR 82pF,50V	C2226		QEKJ1EM-106	E CAPACITOR 10μF,25V
C530		NDC21HG-221X	CAPACITOR 220pF,50V	C2227		NCB21EK-104X	CAPACITOR 0.1μF,25V
C531		NDC21HG-301X	CAPACITOR 300pF,50V	C2251		QEKJ0JM-476	E CAPACITOR 47μF,6.3V
C532		NDC21HG-301X	CAPACITOR 300pF,50V	C2252		NCB21HK-103X	CAPACITOR 0.01μF,50V
C533		NCB21HK-103X	CAPACITOR 0.01μF,50V	C2253		NCB21HK-103X	CAPACITOR 0.01μF,50V
C534		QEKJ0JM-476	E CAPACITOR 47μF,6.3V	C2254		NCB21HK-103X	CAPACITOR 0.01μF,50V
C535		NCB21HK-103X	CAPACITOR 0.01μF,50V	C3001		NCB21EK-104X	CAPACITOR 0.1μF,25V
C551		QERF1HM-105	E CAPACITOR 1μF,50V	C3003		QEKJ1EM-106	E CAPACITOR 10μF,25V

#	△	REF No.	PART No.	PART NAME, DESCRIPTION	#	△	REF No.	PART No.	PART NAME, DESCRIPTION	
		C3008	NCB21HK-102X	CAPACITOR			L11	QQL01BJ-120Z	COIL	12μH
		C3013	QEKJ1EM-106	E CAPACITOR			L13	QQL231J-101Y	COIL	100μH
		C3016	NDC21HJ-180X	CAPACITOR			L15	QQL29BJ-100Z	COIL	10μH
		C3017	NDC21HJ-270X	CAPACITOR			L18	QQL231J-220Y	COIL	22μH
		C3018	QAT3725-300Z	TRIM CAPACITOR			L19	QQL231J-120Y	COIL	12μH
		C3019	NDC21HJ-6R0X	CAPACITOR			L20	QUY153-050Y	IM BUS WIRE	
		C3020	NDC21HJ-180X	CAPACITOR			L28	QQL231J-150Y	COIL	15μH
		C3022	NCB21EK-104X	CAPACITOR			L201	QUY153-050Y	IM BUS WIRE	
		C3023	NCF21CZ-105X	CAPACITOR			L203	QQL231J-3R3Y	COIL	3.3μH
		C3028	QETN0JM-108	E CAPACITOR			L501	QQL29BJ-100Z	COIL	10μH
		C3035	NCB21EK-104X	CAPACITOR			L503	QQL29BJ-100Z	COIL	10μH
		C3036	QERF0JM-107	E CAPACITOR			L504	QQL29BJ-100Z	COIL	10μH
		C3048	NCB21HK-103X	CAPACITOR			L901	QQL29BJ-101Z	COIL	100μH
		C4001	NCB21EK-104X	CAPACITOR			L2001	QUY153-050Y	IM BUS WIRE	
		C4002	QERF1HM-105	E CAPACITOR			L2251	QQL29BJ-100Z	COIL	10μH
		C4004	QERF1AM-336	E CAPACITOR			L4001	QUY153-050Y	IM BUS WIRE	
		C4006	NCB21EK-563X	CAPACITOR			L5201	PELN1184	COIL	33μH
		C4007	NCB21HK-103X	CAPACITOR			L5202	PELN1184	COIL	33μH
		C4009	NCB21HK-102X	CAPACITOR			L5301	QQL01BJ-101Z	COIL	100μH
		C4010	QERF0JM-476	E CAPACITOR			L6001	QQL29BK-1R0Z	COIL	1.0μH
		C4011	NCB21CK-224X	CAPACITOR			L6003	QQL29BK-1R0Z	COIL	1.0μH
		C4014	NDC21HJ-101X	CAPACITOR			L6004	QQL071J-1R0Y	COIL	1.0μH
		C4015	NDC21HJ-101X	CAPACITOR			L6032	QUY153-050Y	IM BUS WIRE	
		C4019	NCB21HK-103X	CAPACITOR			L6050	QUY153-050Y	IM BUS WIRE	
		C4022	NDC21HJ-101X	CAPACITOR			X1	QAX0580-001	CRYSTAL RESONATOR	
△		C5001	QFZ9073-683	F CAPACITOR			X2	QAX0575-001	CRYSTAL RESONATOR	
△		C5004	QCZ9071-222	CAPACITOR			X3001	QAX0526-001	CRYSTAL RESONATOR	
		C5006	QEZ0424-686	E CAPACITOR			X3002	QAX0445-001	CRYSTAL RESONATOR	
		C5101	QCZ0212-472	CAPACITOR			S3001	QSW0602-004	PUSH SWITCH,REC SAFETY	
		C5102	QEMU1EM-396	E CAPACITOR			S3002	QSW0695-001	PUSH SWITCH,S CASSETTE	
		C5103	QCZ0302-330Z	CAPACITOR			S7001	QSW0456-002Z	TACT SWITCH,POWER	
		C5104	QFLC1HJ-471Z	F CAPACITOR			S7002	QSW0456-002Z	TACT SWITCH,S VHS ET	
		C5201	QEMU0JM-227	E CAPACITOR			S7004	QSW0456-002Z	TACT SWITCH,REC	
		C5202	QEMT1CM-687	E CAPACITOR			S7006	QSW0456-002Z	TACT SWITCH,PAUSE	
		C5203	QEMT1AM-128	E CAPACITOR			S7008	QSW0456-002Z	TACT SWITCH,STOP/EJECT	
		C5204	QETJ2AM-475	E CAPACITOR			S7010	QSW0456-002Z	TACT SWITCH,PLAY	
		C5205	QETN1HM-106	E CAPACITOR			S7012	QSW0456-002Z	TACT SWITCH,EASY PROG.	
		C5206	QETN1AM-476	E CAPACITOR			S7016	QSW0456-002Z	TACT SWITCH,RECLINK	
		C5207	QETN1CM-107	E CAPACITOR			K2251	NRSA02J-0R0X	MG RESISTOR	0Ω,1/10W
		C5301	QEKJ1CM-107	E CAPACITOR			K2252	NRSA02J-0R0X	MG RESISTOR	0Ω,1/10W
		C5302	QEKJ1HM-106	E CAPACITOR			K2253	NRSA02J-0R0X	MG RESISTOR	0Ω,1/10W
		C5303	QEKJ1CM-107	E CAPACITOR			K5101	QQR0678-001Z	FERRITE BEAD	
		C5304	NCB21HK-102X	CAPACITOR			K5102	QUY153-050Y	IM BUS WIRE	
		C5305	QFV91HJ-473	F CAPACITOR			PC3001	GP3S123	IC(PHOTO SENSOR)	
		C5306	QFV91HJ-683	F CAPACITOR			PC3002	GP3S123	IC(PHOTO SENSOR)	
		C5311	NCB21HK-103X	CAPACITOR			△ PC5101	PS2561L1-1/WL/	IC(PHOTO COUPLER)	
		C6029	NRSA02J-0R0X	MG RESISTOR			T2051	PELN0832	OSC TRANSFORMER	
		C7001	QEKJ0JM-476	E CAPACITOR			△ T5001	QQS0051-001	SW TRANSFORMER	
		C7002	NCB21EK-104X	CAPACITOR			TU6001	QAU0207-001	TUNER	
		C7003	QETJ1AM-227	E CAPACITOR			△ TB1	LP20316-009A	TERMINAL BOARD	
		C7005	NDC21HJ-470X	CAPACITOR			△ TB2	LP20918-001A	TERMINAL BOARD(S-VHS)	
		C7006	NDC21HJ-330X	CAPACITOR			DI7001	QLF0032-001	FL TUBE	
		C7007	QEKJ1HM-106	E CAPACITOR			ET1	LP30859-001A	EARTH PLATE	
		C7008	NCB21HK-102X	CAPACITOR			HD1	LP30188-001A	HOLDER	
		C7011	QCFB1HZ-104	CAPACITOR			HS1	LP40090-001A	HEAT SINK,IC5101	
		C7015	QCFB1HZ-104	CAPACITOR			SD1	LP30864-001A	SHIELD CASE(PRE)	
		L1	QQL29BJ-100Z	COIL			OT1	QYTDSF3010M	SCREW,X2,S JACK	
		L2	QQL29BJ-680Z	COIL			OT2	QYTDST3006Z	SCREW,IC5101	
		L3	QQL29BJ-100Z	COIL			J1	QNN0380-002	PIN JACK,REAR1 IN	
		L4	QQL29BJ-100Z	COIL			J2	QNN0286-002	PIN JACK,REAR OUT	
		L5	QQL29BJ-100Z	COIL			J4	QND0076-001	S JACK,REAR S IN	

#	△ REF No.	PART No.	PART NAME, DESCRIPTION
	J5	QND0076-001	S JACK,REAR S OUT
	J7101	QNN0381-001	PIN JACK,FRONT IN
	FC5001	QNG0006-001Z	FUSE CLIP,F5001
	FC5002	QNG0006-001Z	FUSE CLIP,F5001
△	LF5002	QQR0532-001	LINE FILTER
	CN1	QGF1028C1-11	FPC CONNECTOR,(1-11)U.DRUM
	CN2001	QGF1207C1-07	FPC CONNECTOR,(1-7)A/C HEAD
	CN2002	QGB2532J1-02	CONNECTOR,(1-2)FE HEAD
	CN3001	QGB2015M2-08	CONNECTOR,(1-8)CAPSTAN MOTOR
	CN3002	QGF1207C1-05	FPC CONNECTOR,(1-5)DRUM MDA
	CN3003	QGB2532J1-02	CONNECTOR,(1-2)LOADING MOTOR
	CN3004	QGB2534J2-04	CONNECTOR,(1-4)ROTARY ENCODER
	CN3007	QGD2503C1-02	W.T.CONNECTOR,(1-2)LT BATTERY
△	CN5001	QGA7901C3-02	CONNECTOR,(1-2)AC IN
	CN7001	QGF1207C1-09	FPC CONNECTOR,(1-9)ADV.JOG
	CN7103	QGF1207C1-04	FPC CONNECTOR,(1-4)S JACK
△	CP4001	ICP-N25	CIRCUIT PROTECTOR
△	CP5302	ICP-N25	CIRCUIT PROTECTOR
△	F5001	QMF51E2-2R0J1	FUSE T2.0A,AC250V

#	△ REF No.	PART No.	PART NAME, DESCRIPTION
---	-----------	----------	------------------------

\*\*\*\*\*

**LT BATTERY BOARD ASSEMBLY <93>**

PW4	LPA10141-01B4	LT.BATTERY BOARD ASSY
BT3001	QNZ0032-001	BATTERY HOLDER
FW7106	QUM022-22A4BF	P.R.WIRE,CN3007